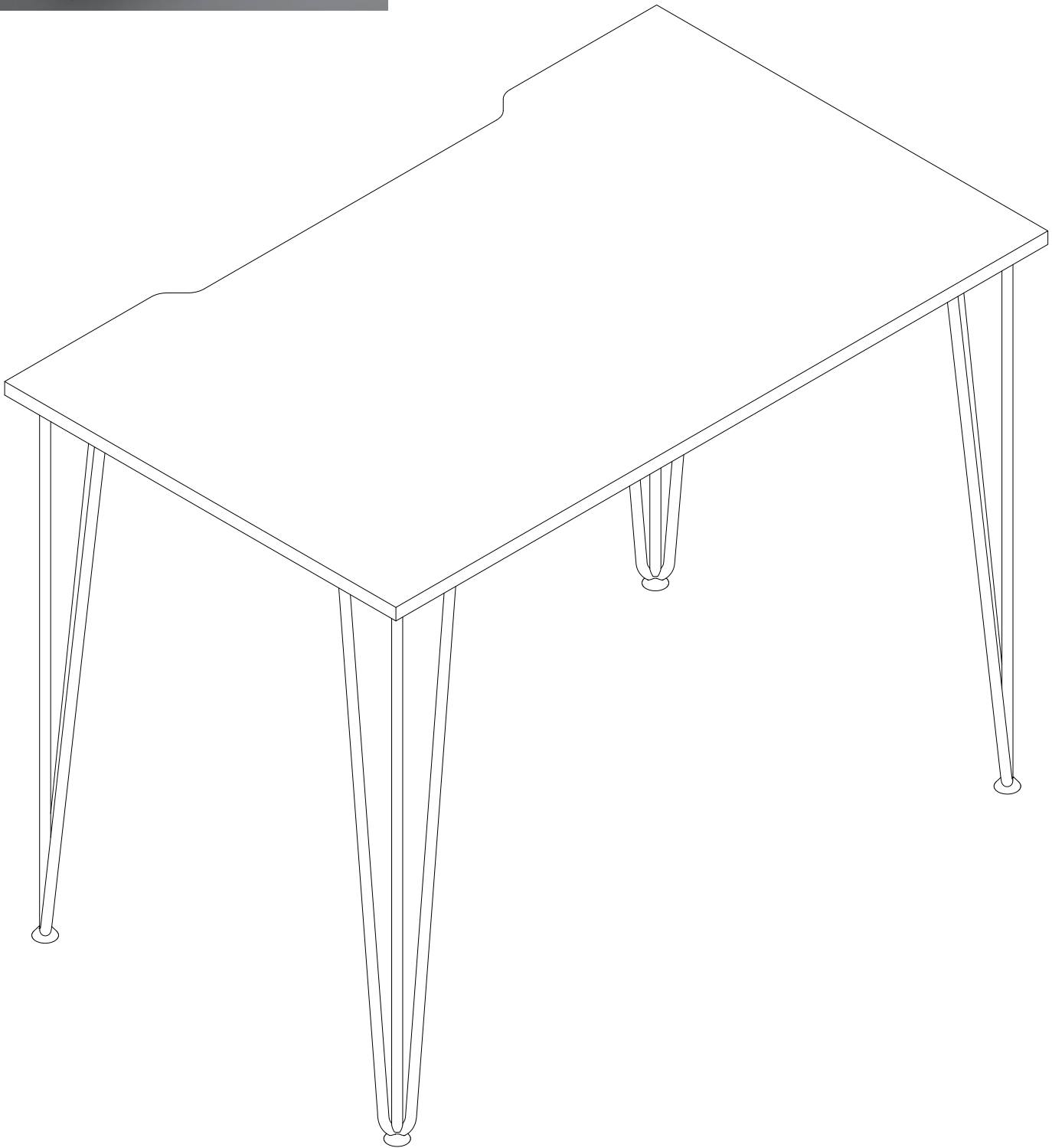










TK610 / TK612 / TK614 Tikal Desk

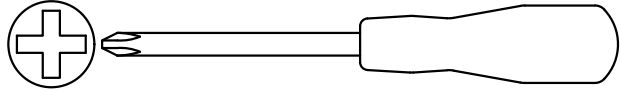


TK610 -  **1**  **2**

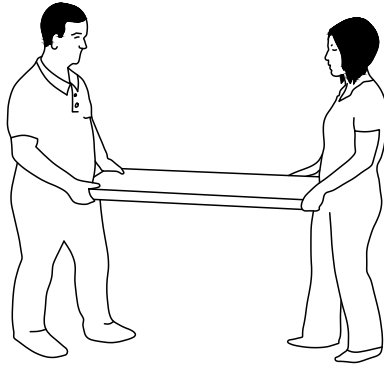
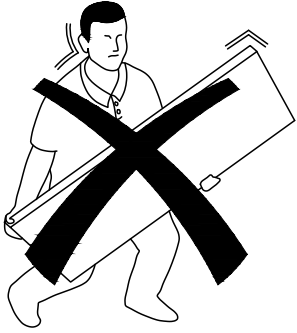
TK612 -  **1**  **2**

TK614 -  **1**  **2**

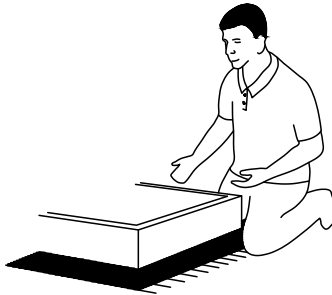
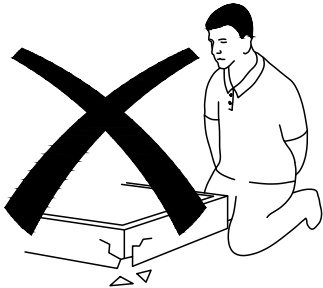
**TOOLS REQUIRED
FOR ASSEMBLY**



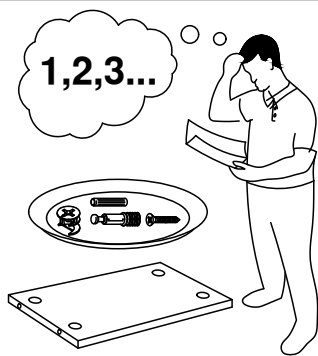
**DONT STRUGGLE
2 MAN LIFT**



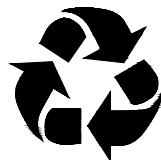
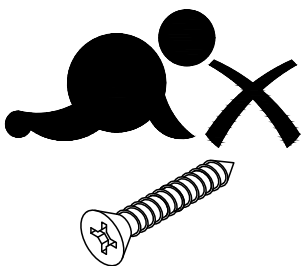
**ALWAYS HANDLE
ITEMS WITH CARE**



**IF UNSURE CALL
FOR ASSISTANCE**



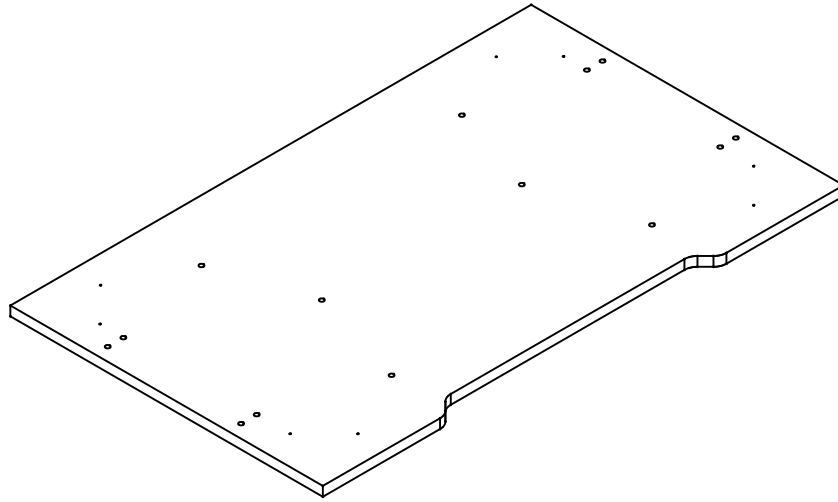
**KEEP FITTINGS AWAY
FROM CHILDREN**



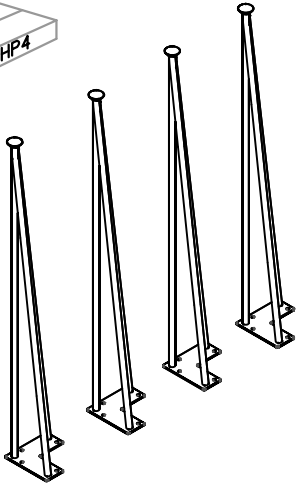


Please check that you have all the components

Desktop

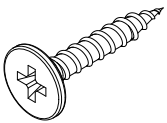


Sleigh Frame Leg Set



Please check that you have all the hardware

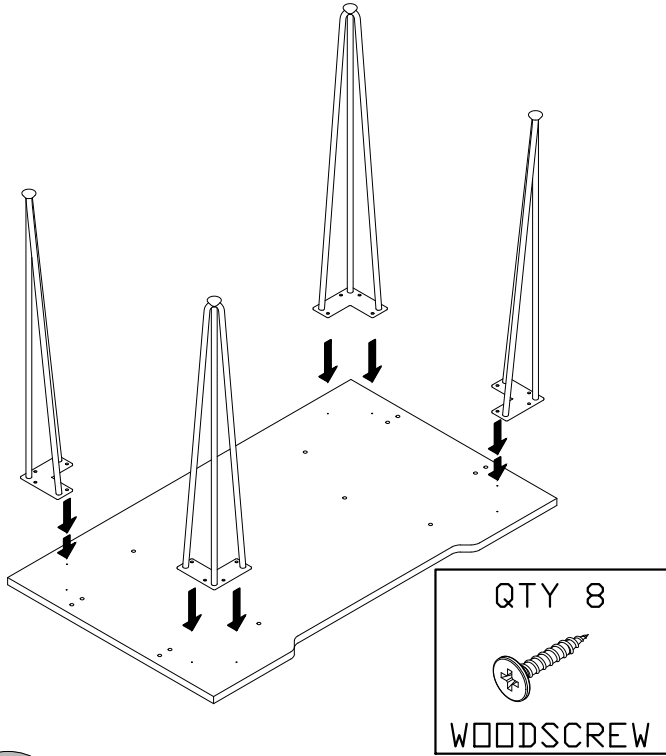
QUANTITY - 16



WOOD SCREW

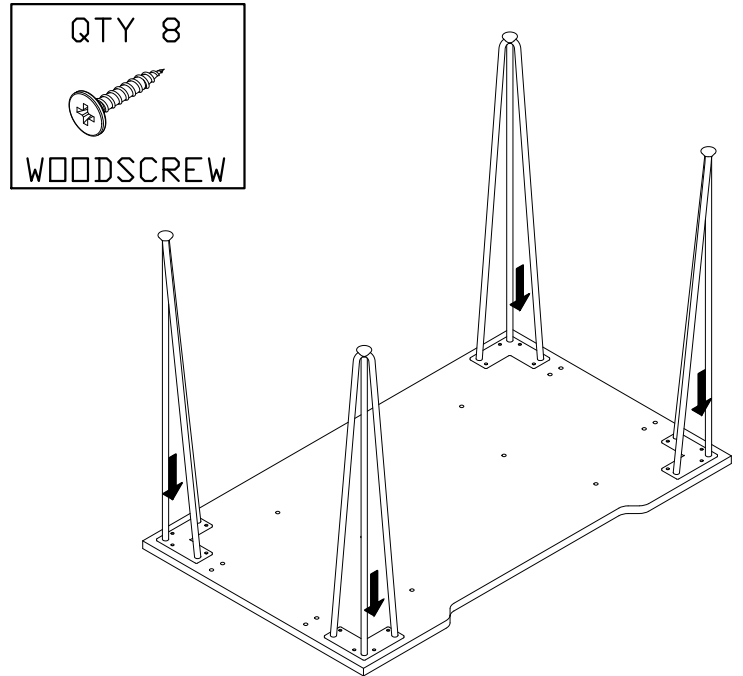
1

Step 1
Attach the legs to the desktop using 8
woodscrews into the pilot holes as shown.



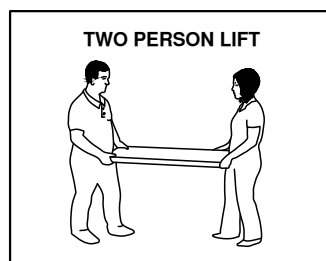
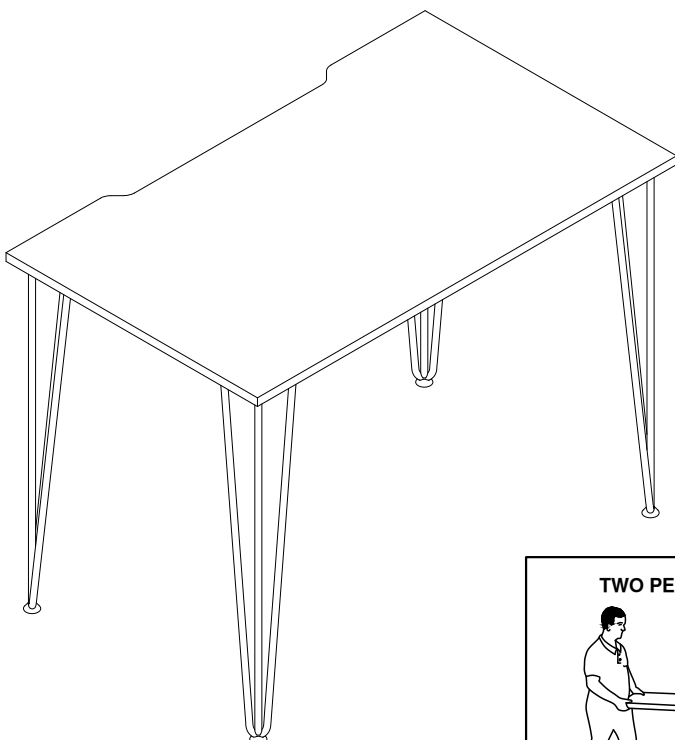
2

Step 2
Secure the legs to the desktop using the rest of
the screws provided.



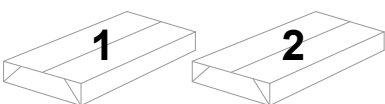
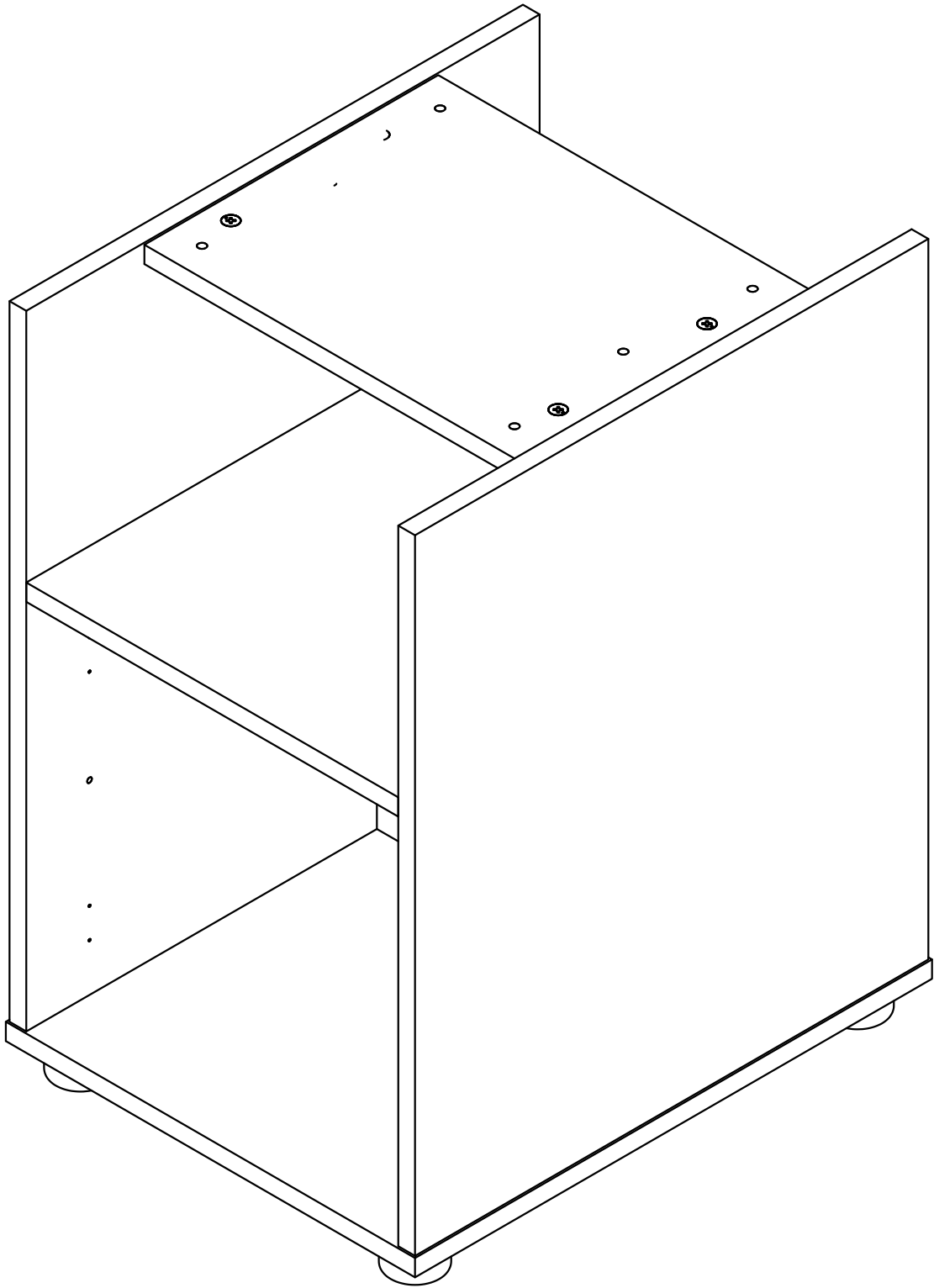
3

Step 3
Once all legs are attached turn the table upright, it
is recommended that 2 people lift the table.



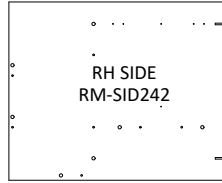
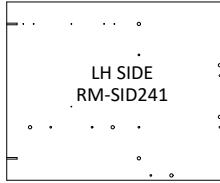
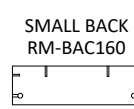
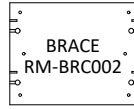
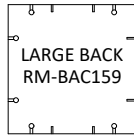
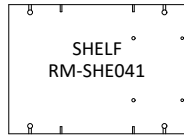
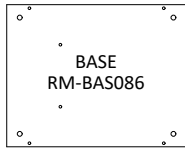
4

SUPPORT PED



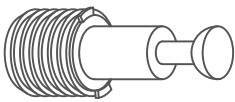


Please check that you have all the panels!



Please check that you have all the hardware!

QUANTITY - 16



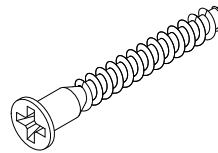
24mm QUICKFIX PIN
RM-BLT006

QUANTITY - 16



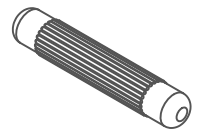
15mm QUICKFIX CAM
RM-CAM03

QUANTITY - 8



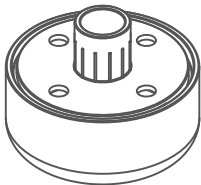
50mm CONFIRMAT SCREW
RM-CFM05

QUANTITY - 14



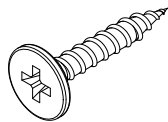
30 x 5mm WOOD DOWEL
RM-WOW01

QUANTITY - 4



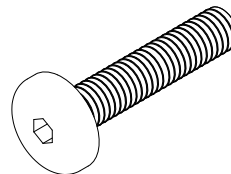
50mm ADJUSTABLE FOOT

QUANTITY - 8



3.5 x 15mm WOOD SCREW
RM-SCR26

QUANTITY - 3

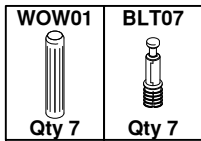
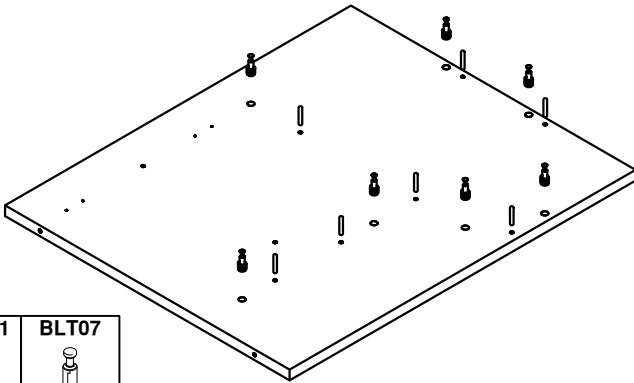


M6 x 30mm CONNECTOR BOLT
RM-M6X30MM-CON

Prepare all the panels by inserting the listed fittings into the corresponding holes.

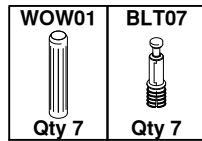
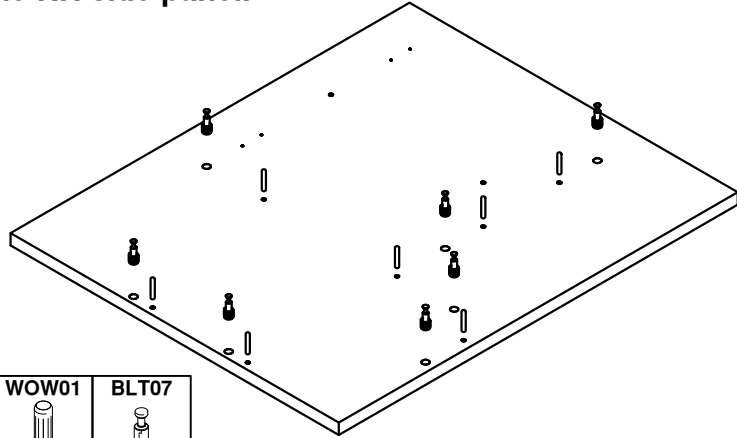
1

Step 1
Insert pins & dowels into the pre drilled holes on the LH side panel.



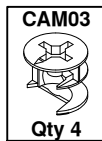
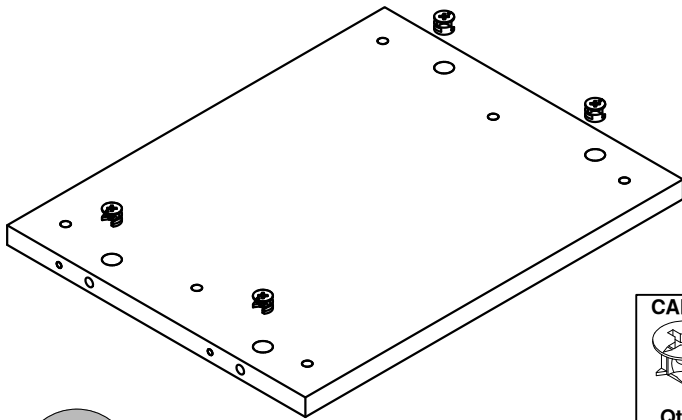
2

Step 2
Insert pins & dowels into the pre drilled holes on the RH side panel.



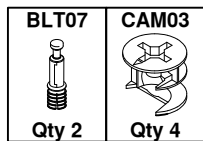
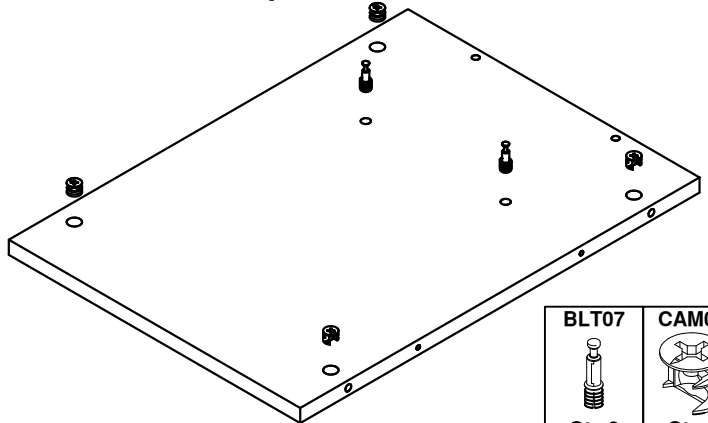
3

Step 3
Insert cams into the pre drilled holes on the brace panel.



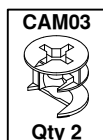
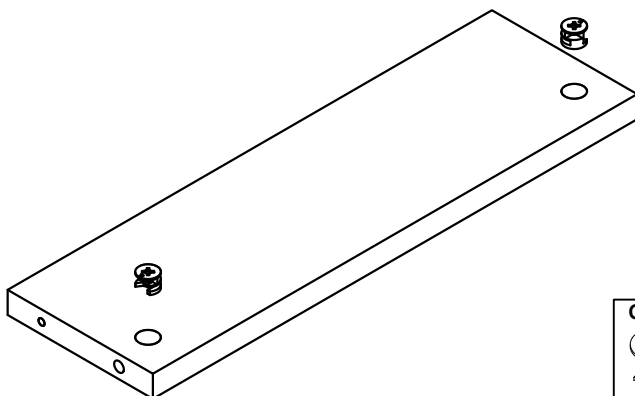
4

Step 4
Insert cams & pins into the pre drilled holes on the shelf panel.



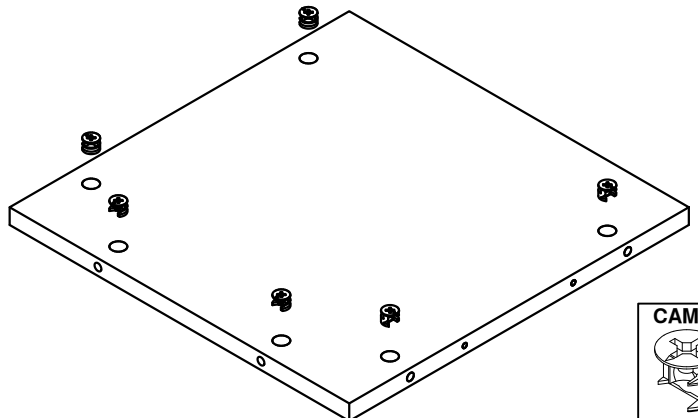
5

Step 5
Insert the cams into pre drilled holes on small back panel.



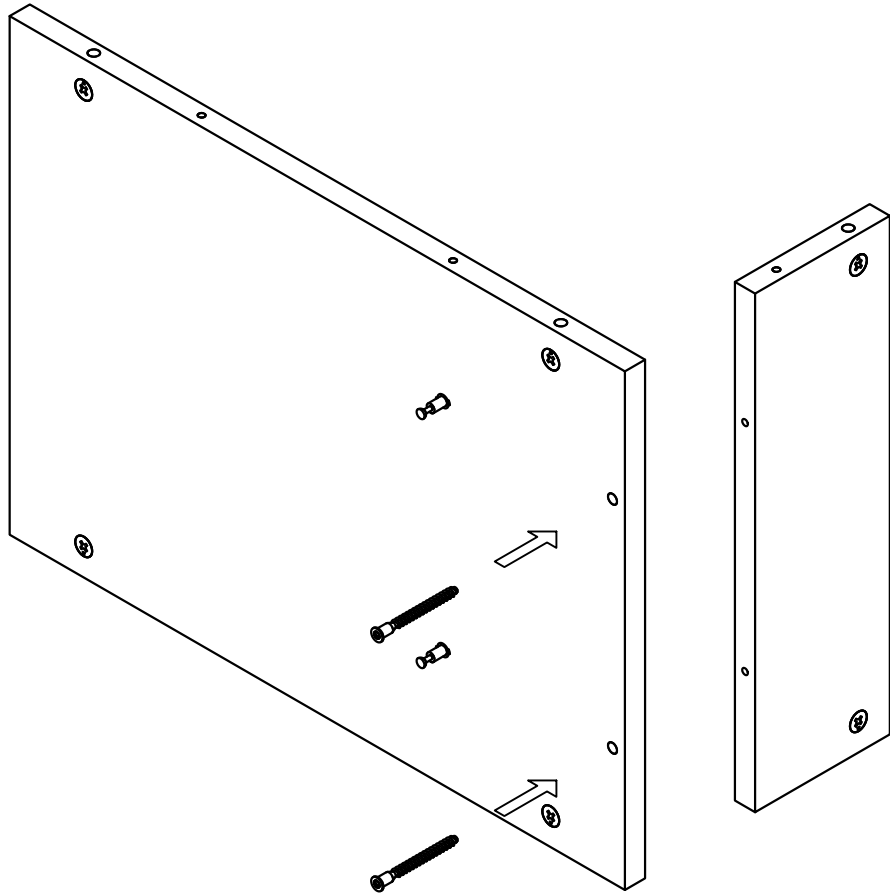
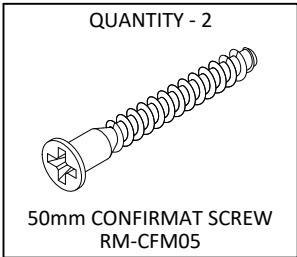
6

Step 6
Insert the cams into pre drilled holes on large back panel.



7

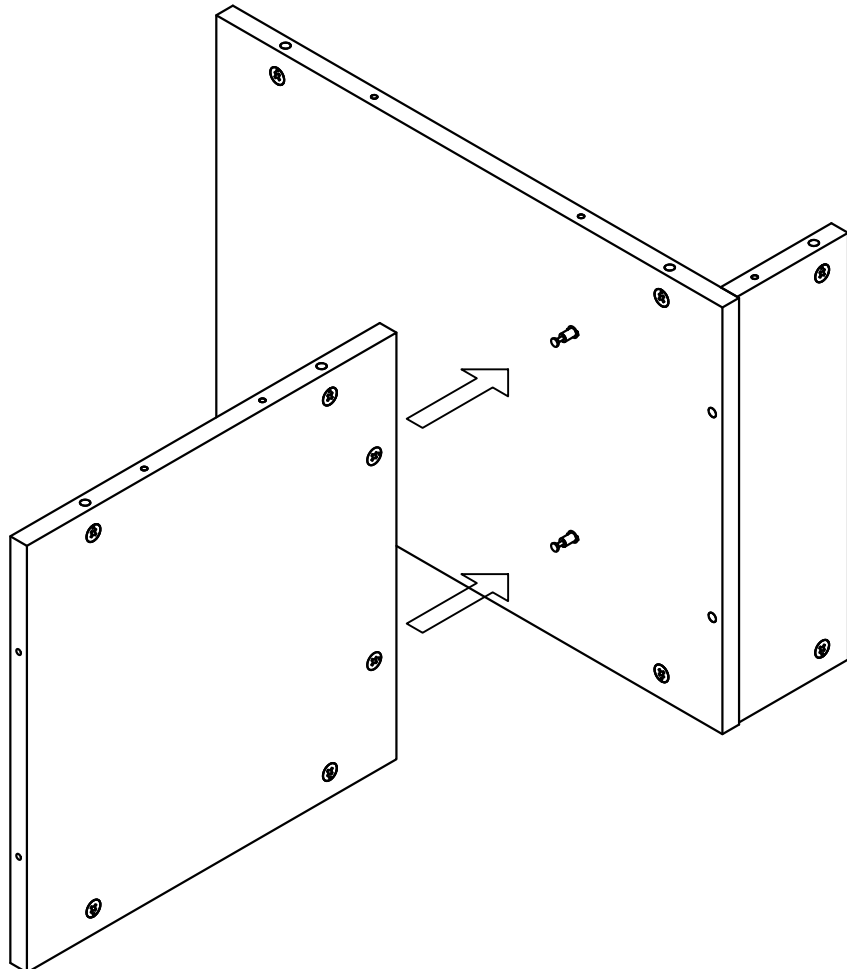
Step 7
Attach small back to shelf panel using confirmat screws provided.



8

Step 8
Attach back panel to shelf.

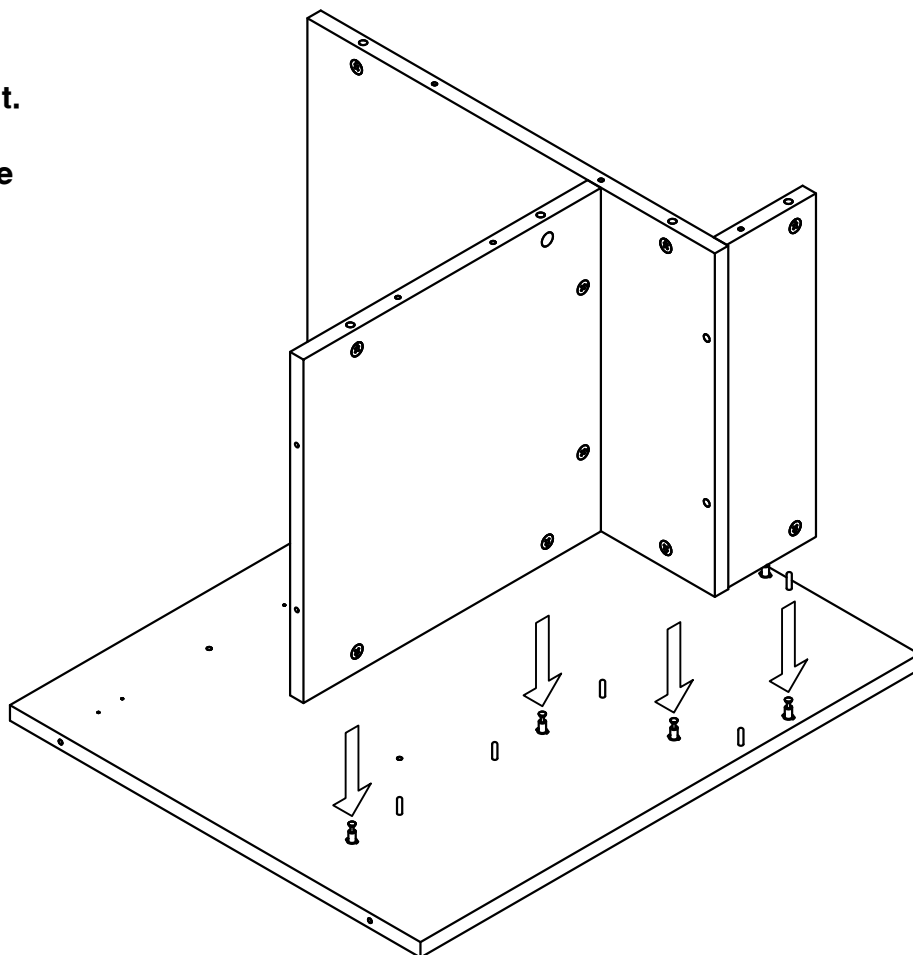
Once the cams and pins are engaged ensure that the cams are fully tightened.



9

Step 9
Attach LH side panel to unit.

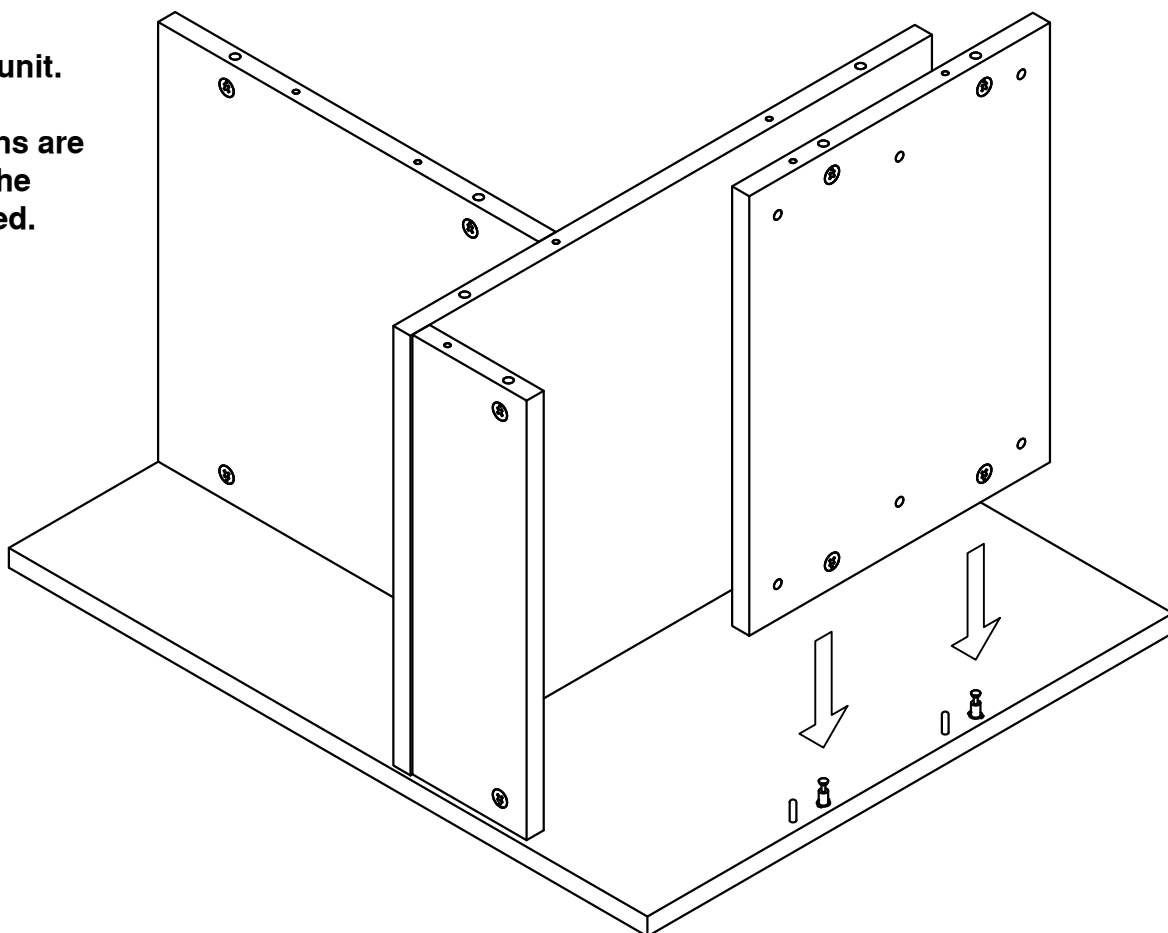
Once the cams and pins are engaged ensure that the cams are fully tightened.



10

Step 10
Attach brace panel to unit.

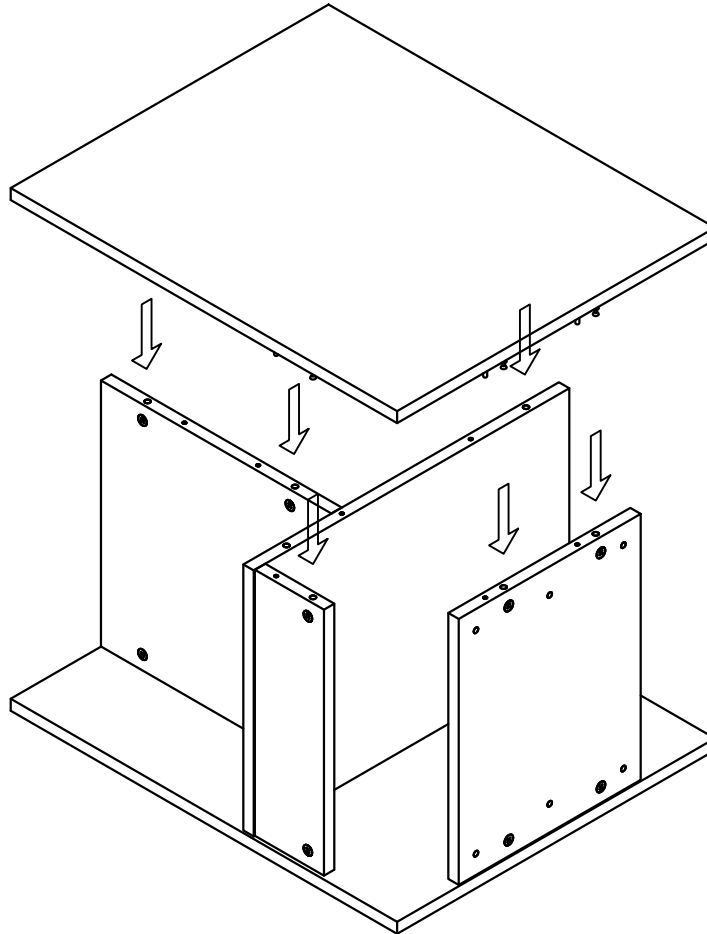
Once the cams and pins are engaged ensure that the cams are fully tightened.



11

Step 11
Attach the RH side panel to unit.

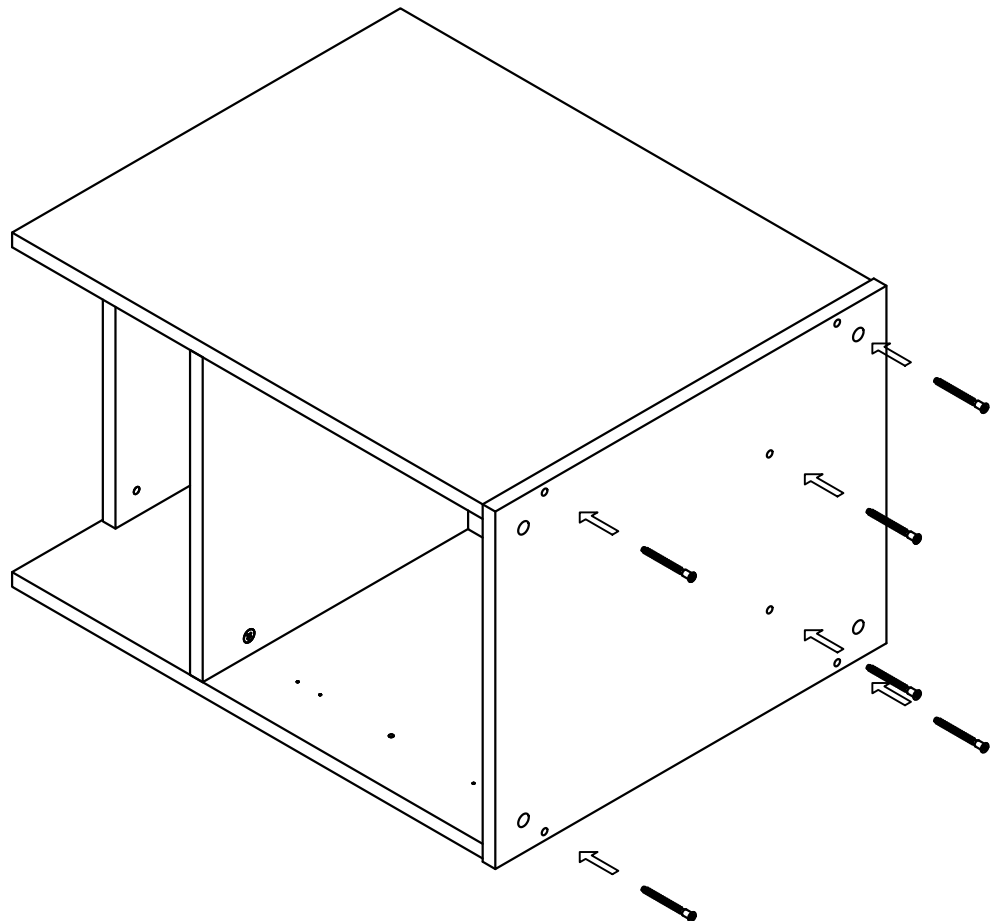
Once the cams and pins are engaged ensure that the cams are fully tightened.



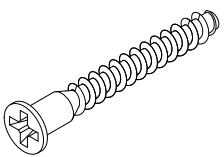
12

Step 12
Attach the base to the unit.
using the confirmat screws provided.

Ensure they are fully screwed in before attempting to attach the adjustable feet.



QUANTITY - 2



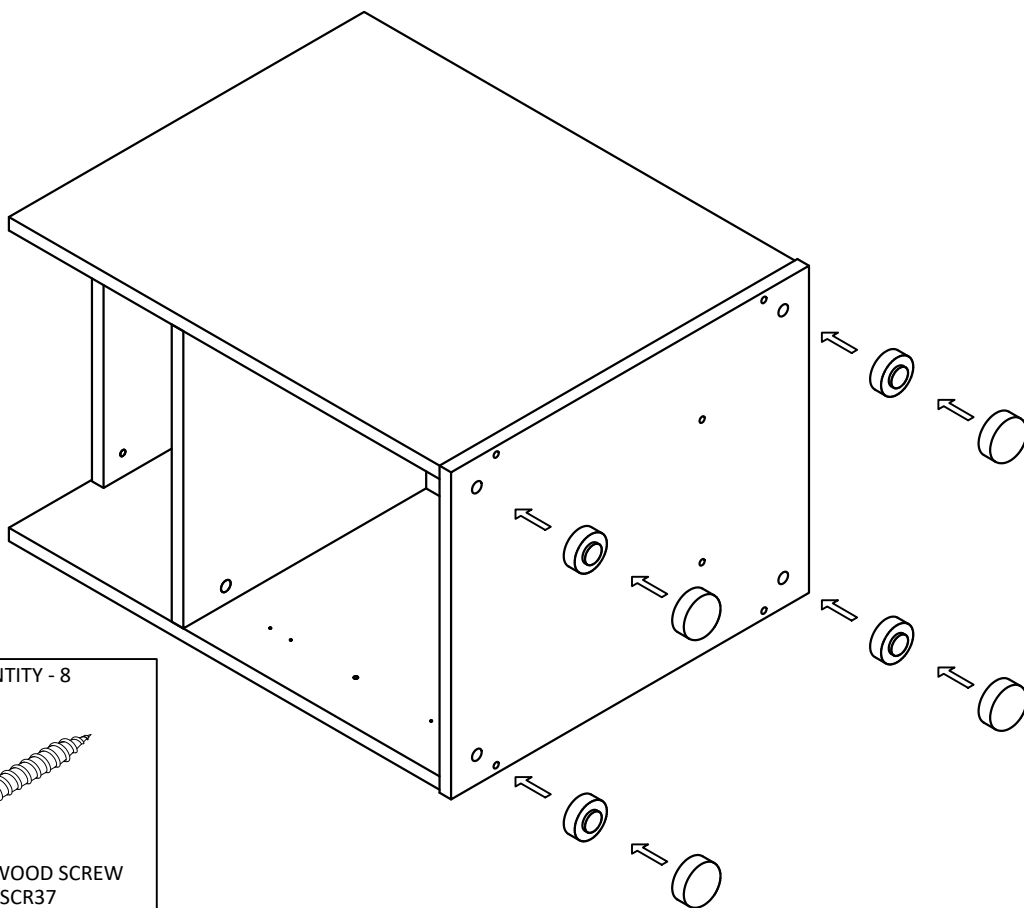
50mm CONFIRMAT SCREW
RM-CFM05


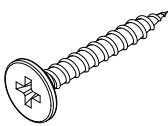
13

Step 13
Attach the 4 adjustable feet inner housings to the base of the unit.

Each foot should be attached using 2 of the 4x20mm wood screws provided.

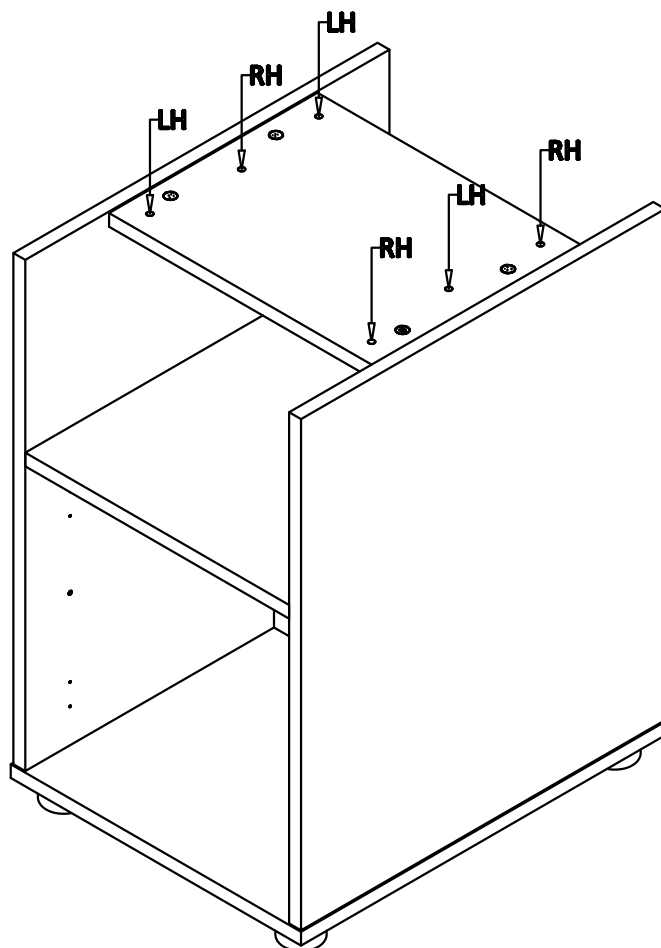
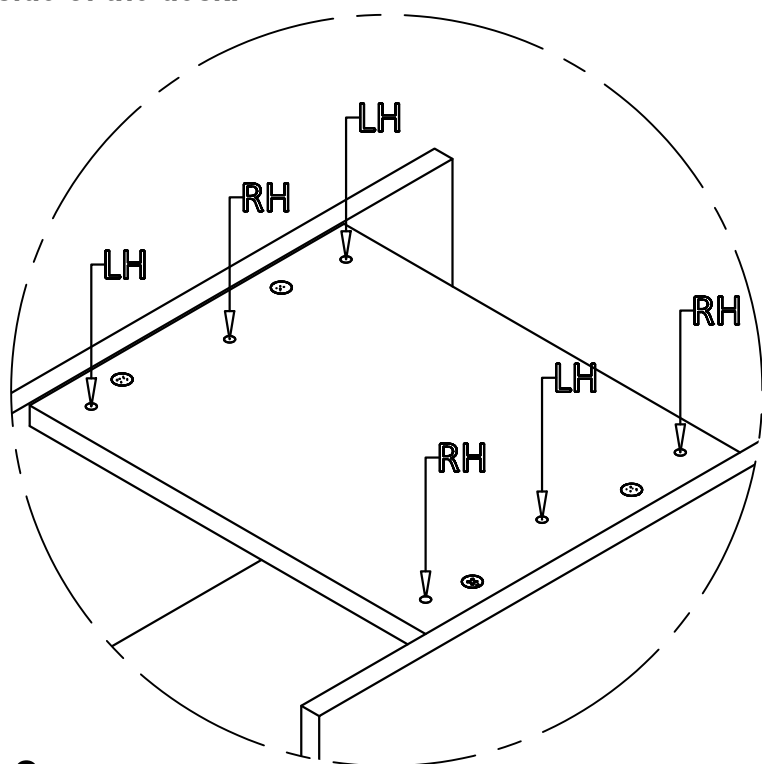
Once attached screw on the adjustable foot outer housing.



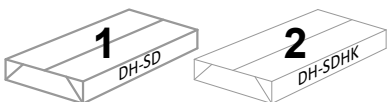
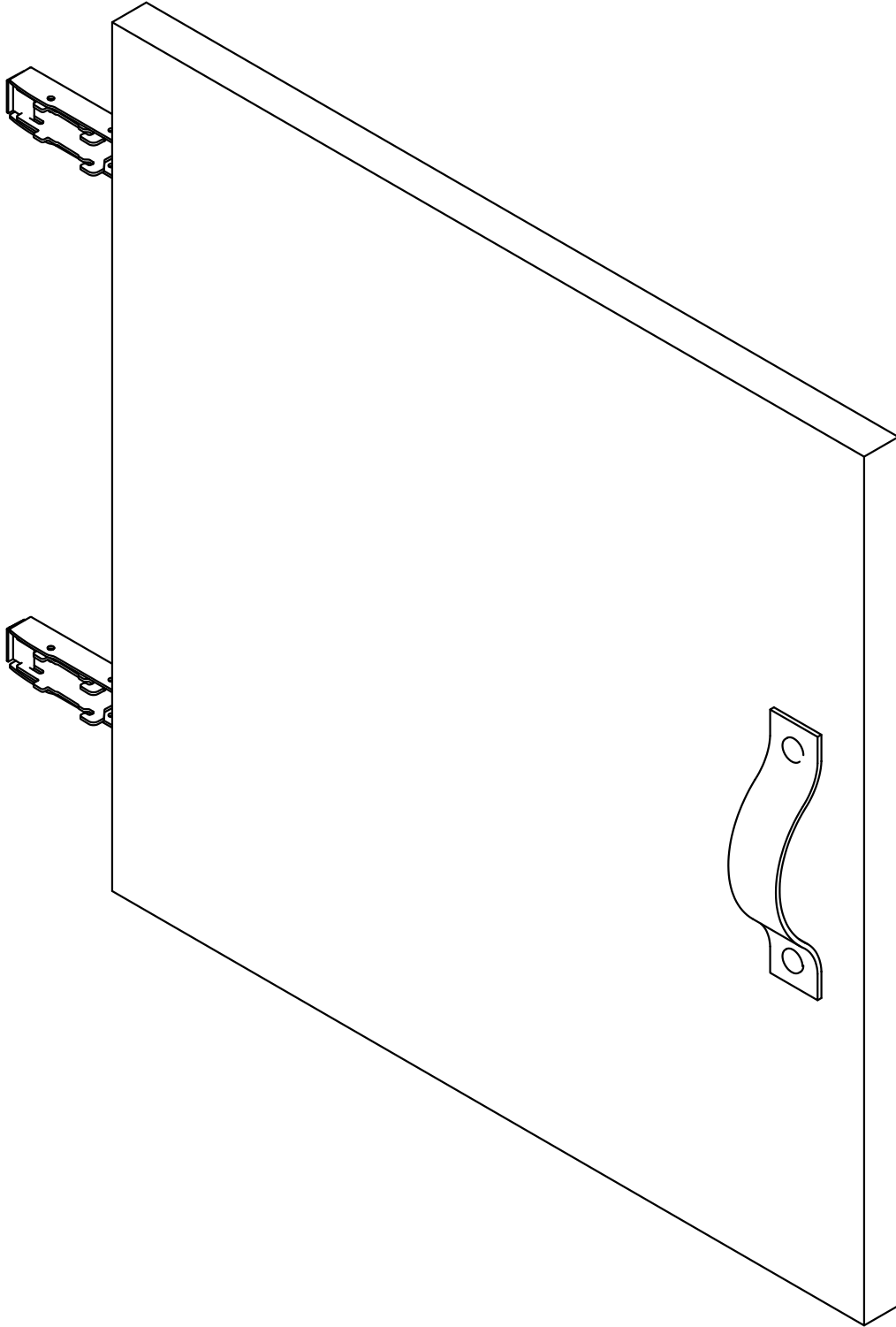
<p>QUANTITY - 4</p>  <p>50mm ADJUSTABLE FOOT</p>	<p>QUANTITY - 8</p>  <p>4 x 20mm WOOD SCREW RM-SCR37</p>
--	--

14

Step 14
Stand the unit upright and position in your desired location to the LH or RH side of the desk.

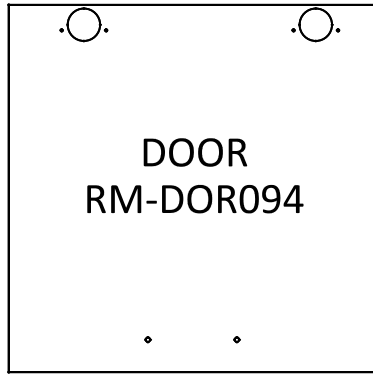


CSI-C





Please check that you have all the panels!



Please check that you have all the hardware!

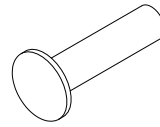


QUANTITY - 2



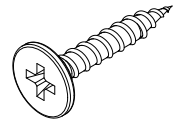
M4 x 6mm SLOTTED SCREW
RM-SCR27

QUANTITY - 2



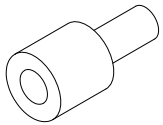
M4 x 20mm BOOK SCREW
RM-SCR28

QUANTITY - 4



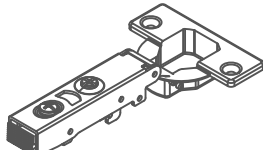
3.5 x 15mm WOOD SCREW
RM-SCR26

QUANTITY - 1



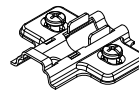
5mm Door Stop Peg

QUANTITY - 2



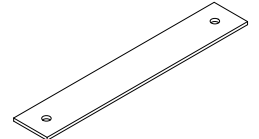
110' CLIP ON - SOFT CLOSE

QUANTITY - 2



CLIP ON HINGE PLATE

QUANTITY - 1



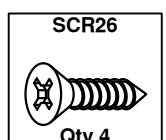
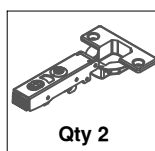
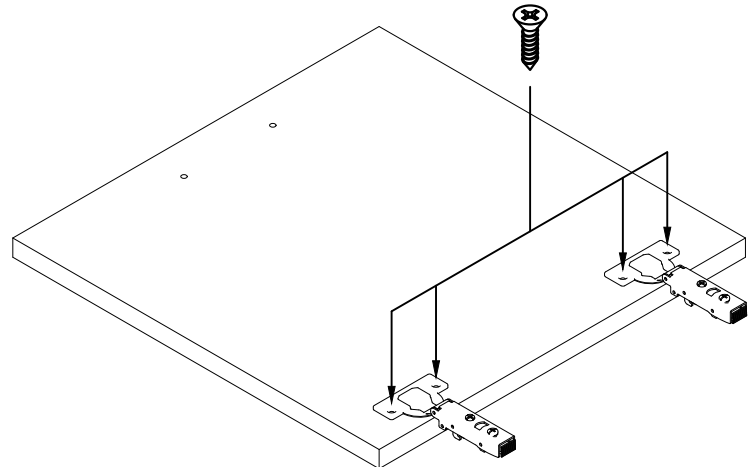
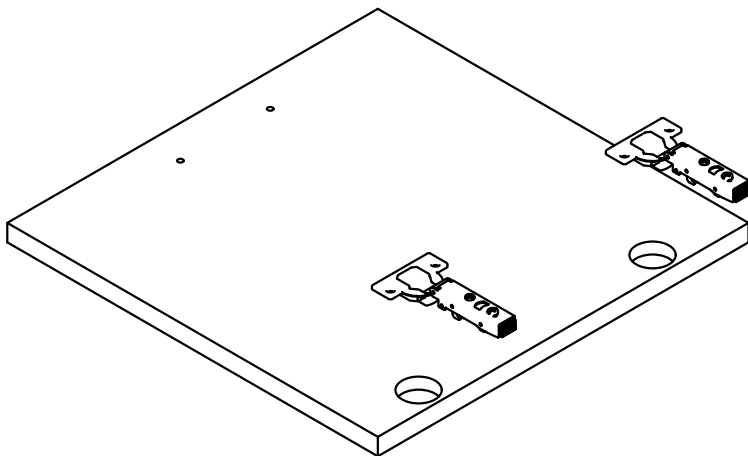
LEATHER STRAP HANDLE
RM-HDL18

1

2

Step 1
Place the hinges into the pre drilled holes on the inside face of the door panel.

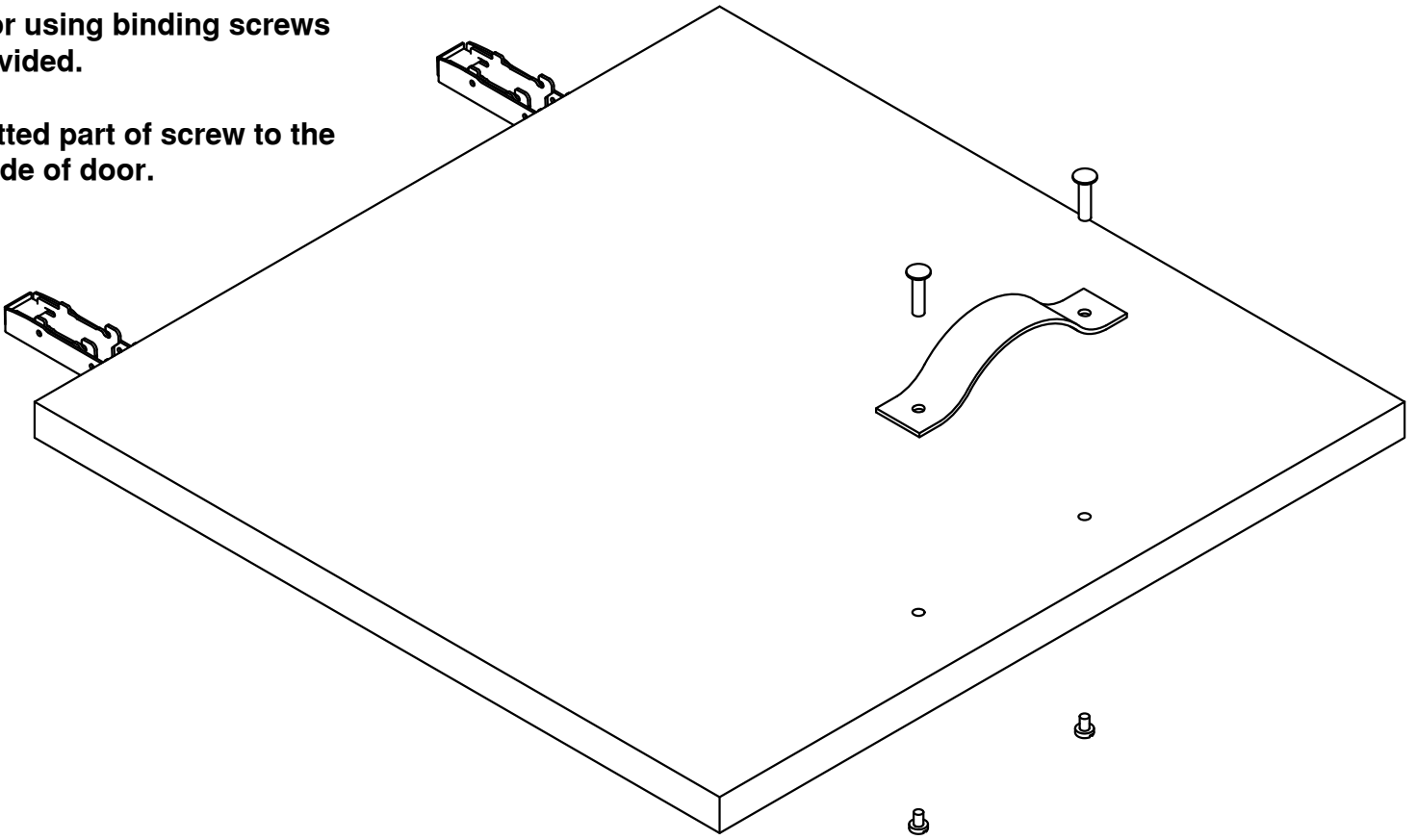
Step 2
Attach the hinges using the 3.5 x 15mm wood screws, 2 screws per hinge.



3

Step 3
Attach leather handle to door using binding screws provided.

Slotted part of screw to the inside of door.



4

Step 4
Attach the hinge plates to the pre drilled holes on the inside face of the bookcase side panels, these plates are fitted with pre attached screws.

Ensure the plate is fitted as per diagram 1.

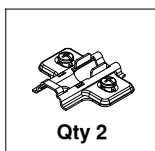
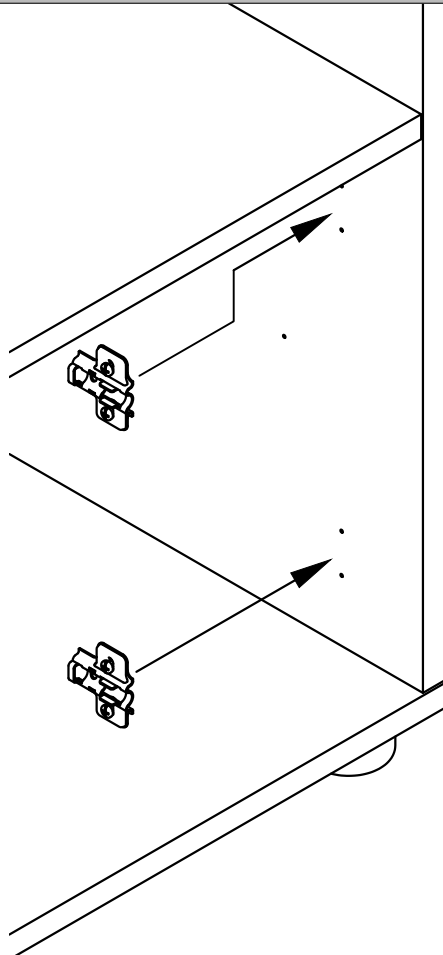
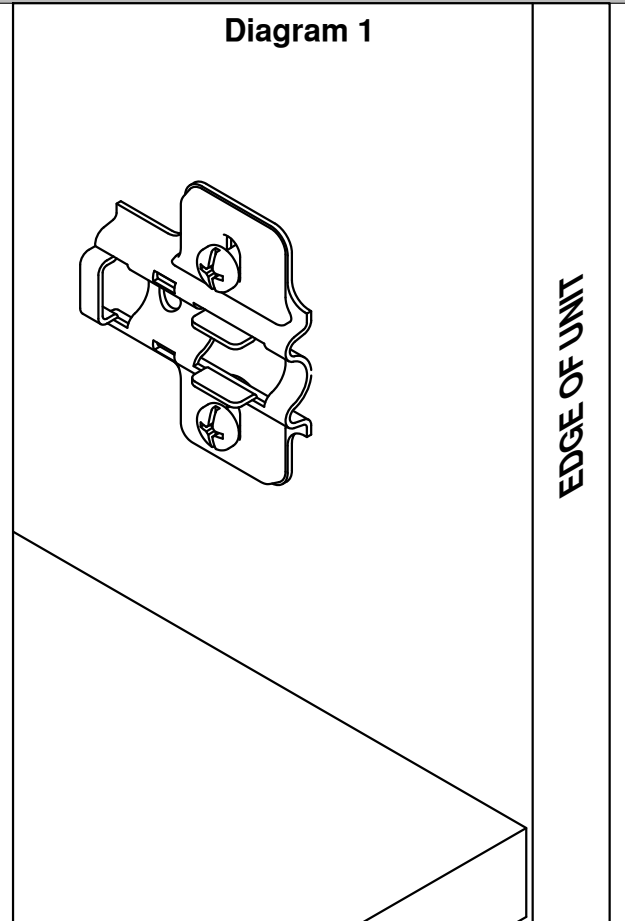


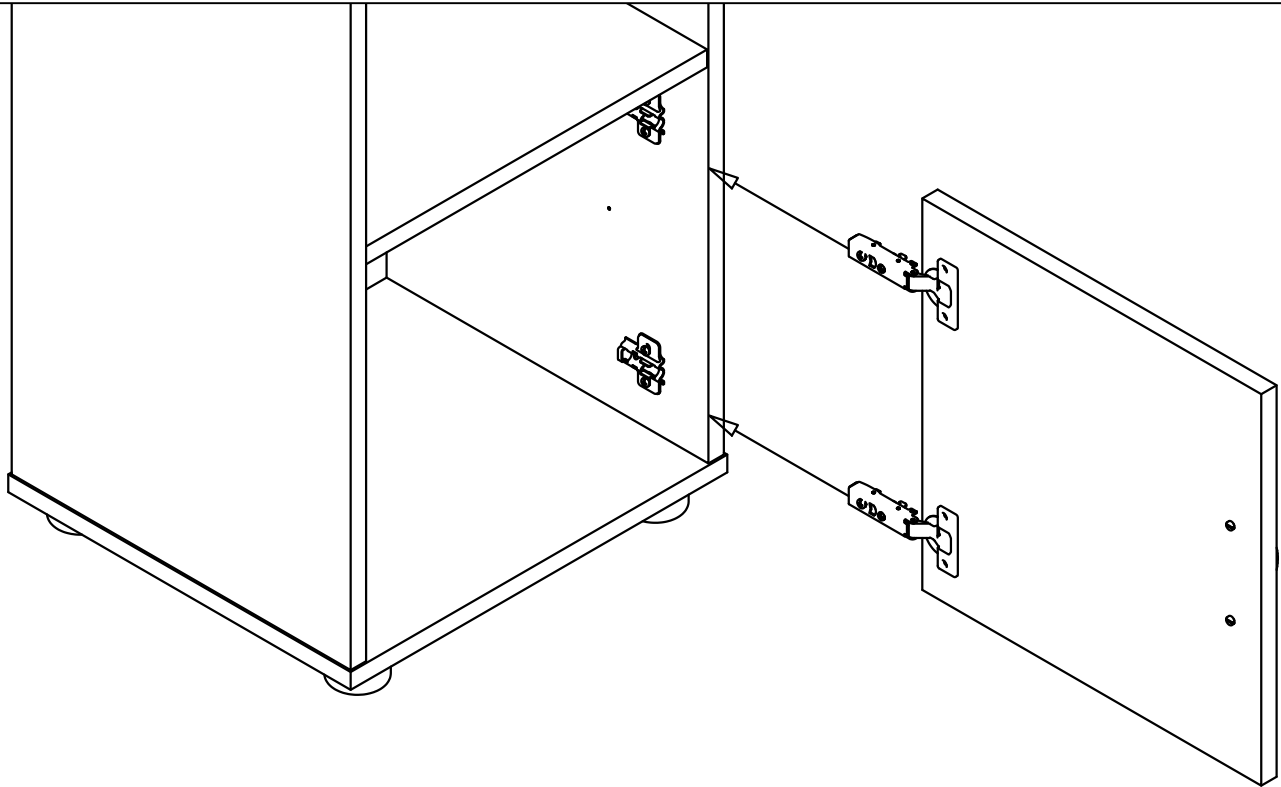
Diagram 1



Step 5

Attach door to the unit. Diagrams 2 & 3 show how to lock the hinge to the plate. Always lock the top hinge into place first before repeating for bottom hinge.

Once the door is attached insert the door stop peg to prevent the door from closing in too far.



Ensure the hook of the hinge locates into the hinge plate.

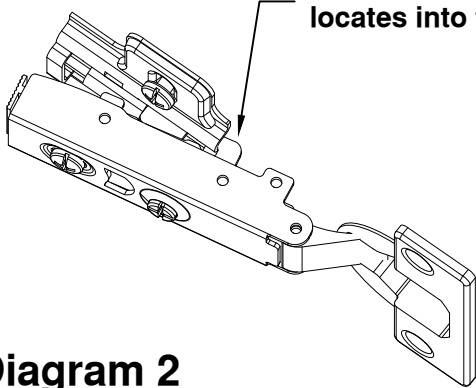


Diagram 2

Fasten the hinge to the plate by applying pressure here.

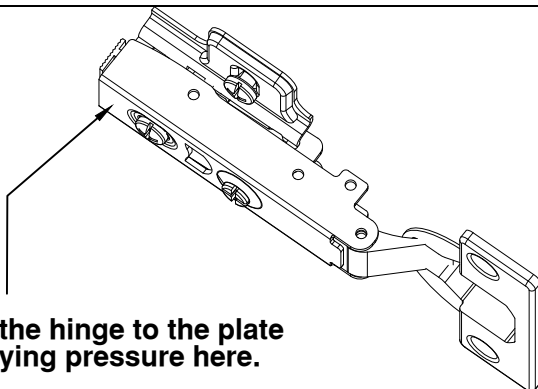
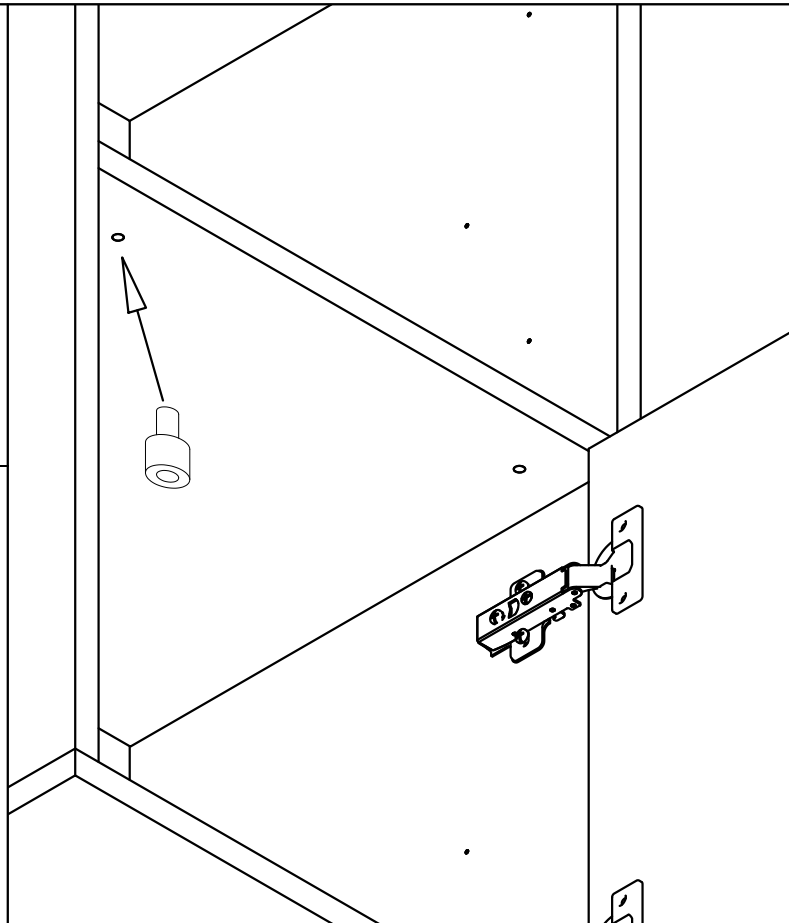
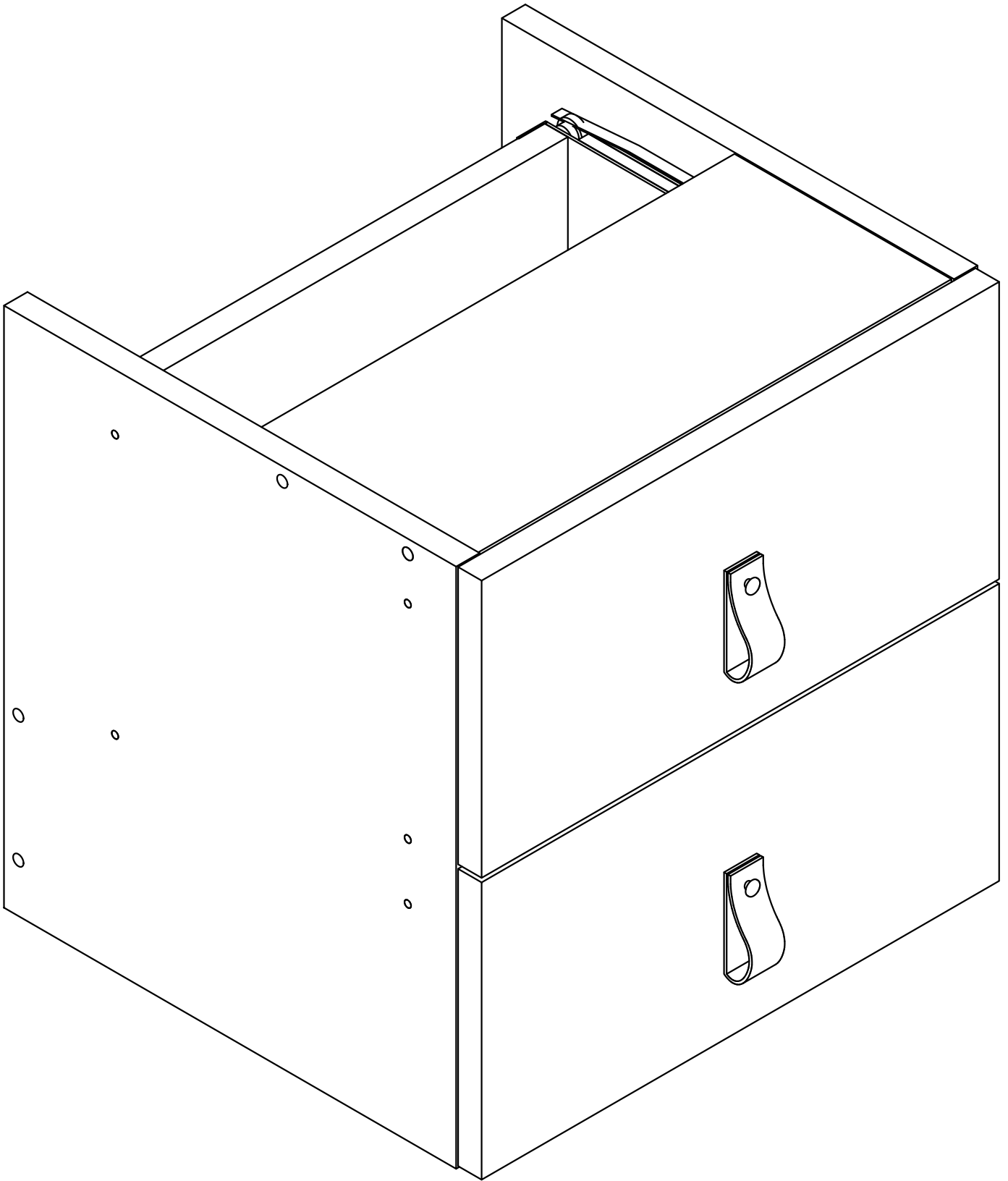


Diagram 3

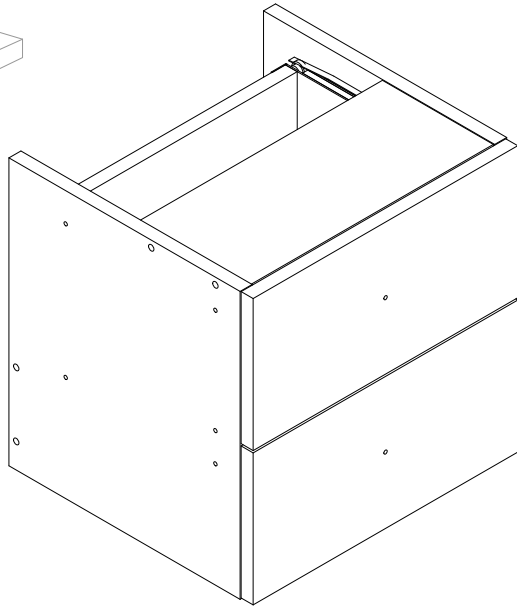


CSI-D

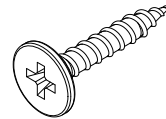




Please check that you have all the components

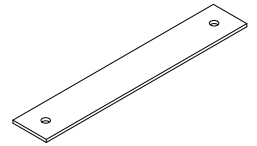


QUANTITY - 2



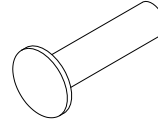
8 x 1 1/4 WOOD SCREW
RM-SCR12

QUANTITY - 2



LEATHER STRAP HANDLE
RM-HDL18

QUANTITY - 2



M4 x 20mm BOOK SCREW
RM-SCR28

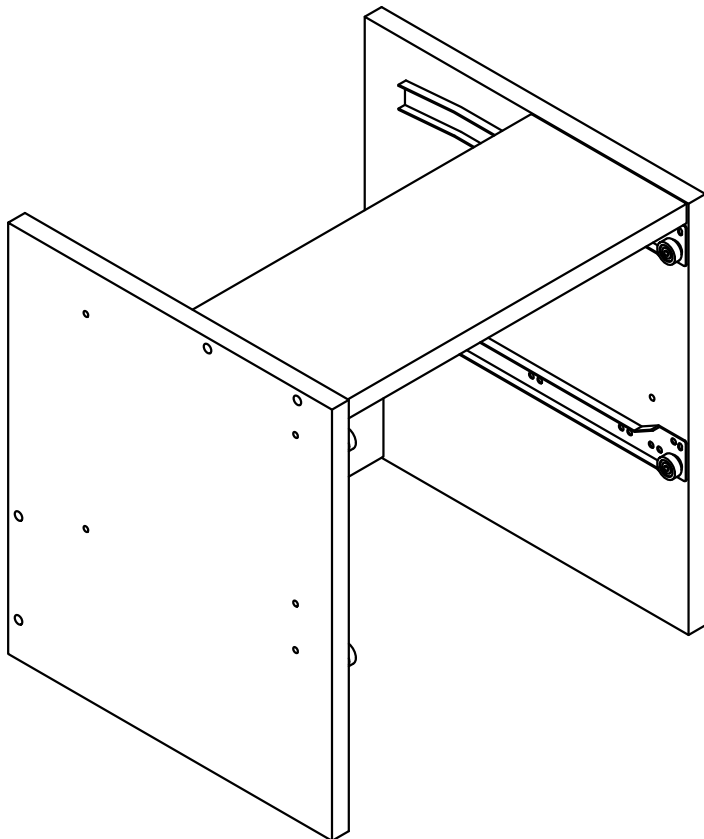
QUANTITY - 2



M4 x 6mm SLOTTED SCREW
RM-SCR27

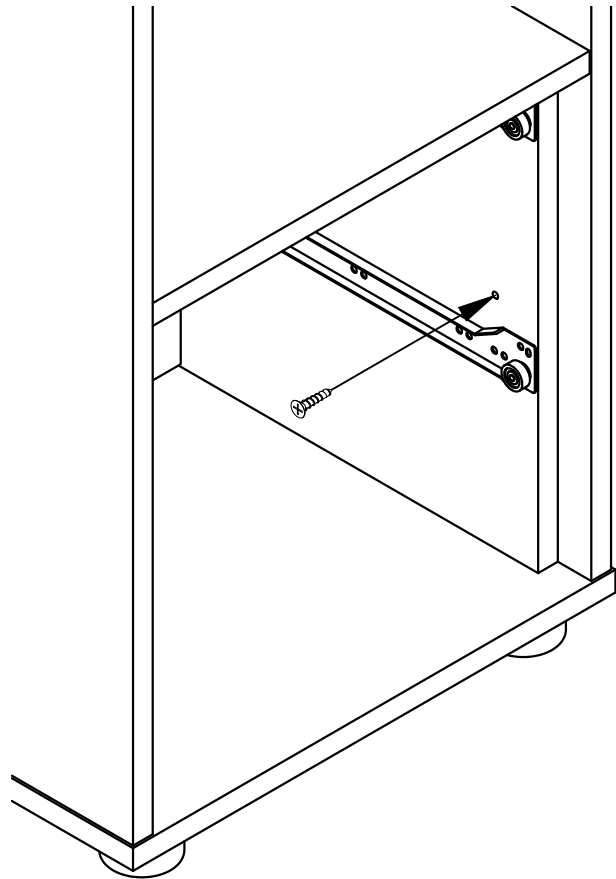
1

Step 1
Remove the drawers from unit.



2

Step 2
Insert cartridge into desired location and fix in place using wood screw into pre drilled holes both sides.



SCR12

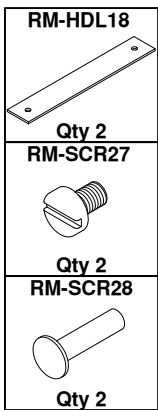
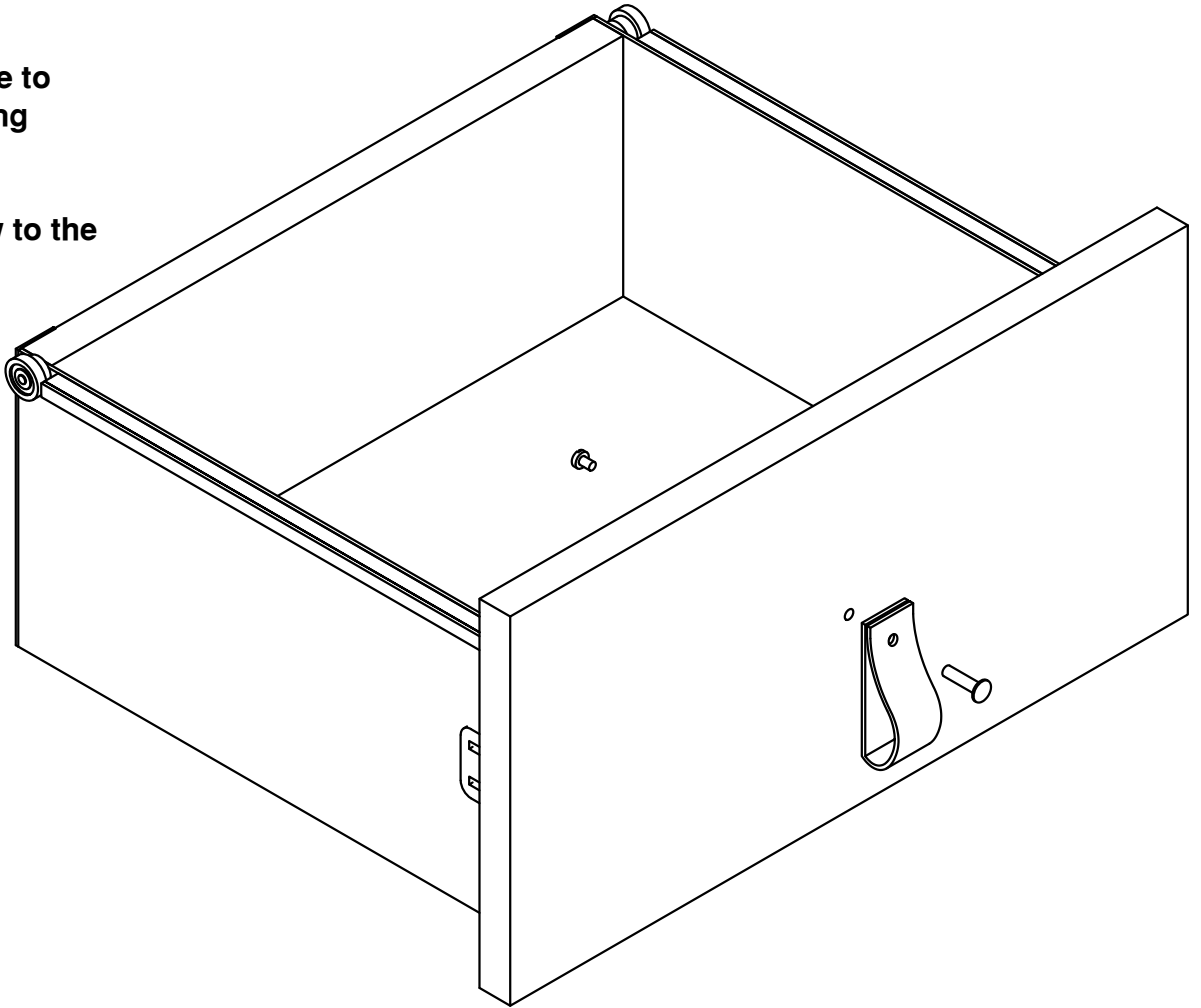


Qty 2

3

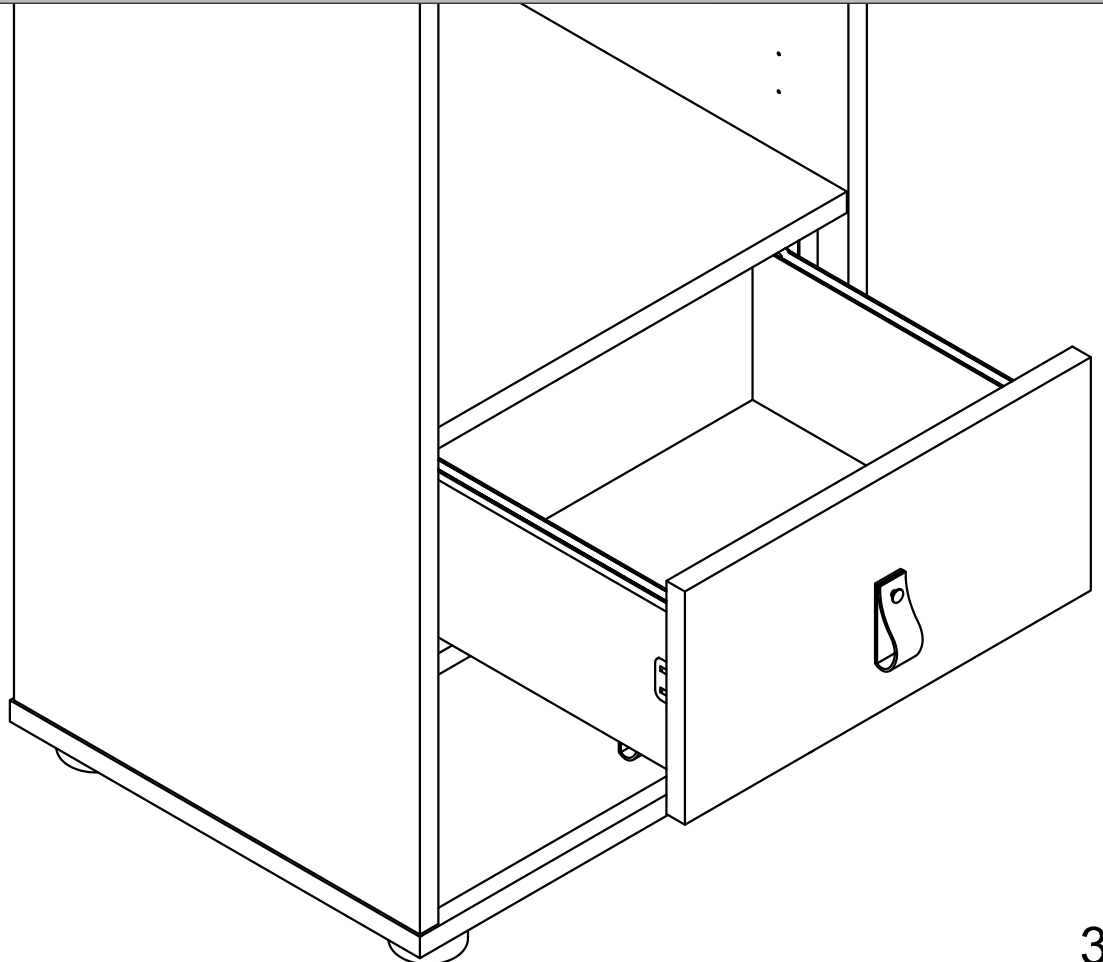
Step 3
Attach leather handle to drawers using binding screws provided.

Slotted part of screw to the inside of drawer.



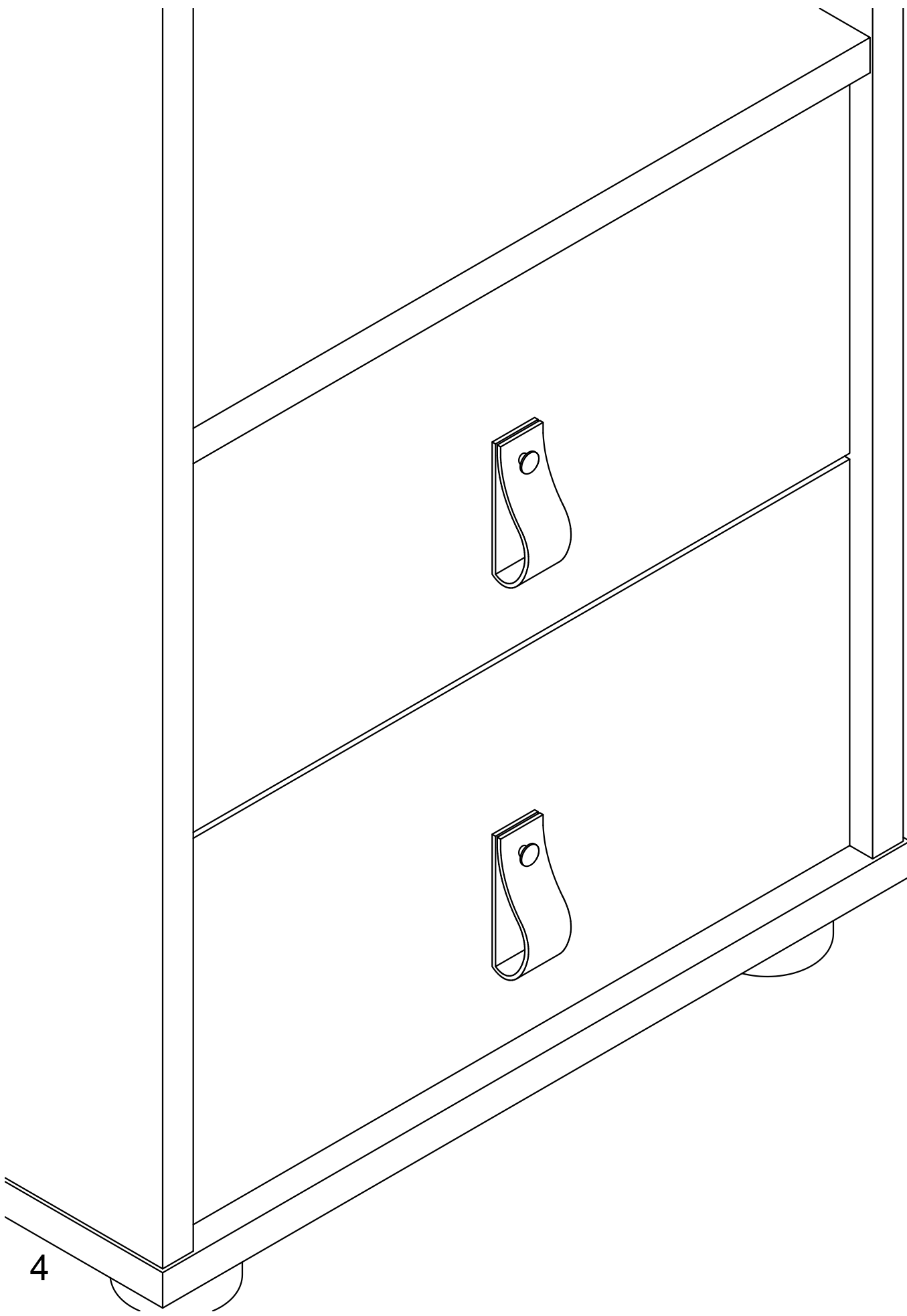
4

Step 4
Insert both drawer boxes back into the cartridge unit.



5

Step 5
Cartridge in position.



4